

# Pressure gauge

stainless steel series 2840

case dim 100 mm

E 02.08.02

Ed.23.02

<b>Application</b>	Pressure gauge in stainless steel version. Suitable for aggressive media and environments
<b>Design</b>	EN 837-1
<b>Series</b>	<b>2840</b>
<b>WIKA model</b>	232.50
<b>Case size</b>	Nominal size dim 100 mm
<b>Accuracy</b>	Class 1,0%
<b>Case</b>	Stainless steel 1.4301 with bayonet ring Option with case in stainless steel 316Ti Option with epoxy- or PTFE-coating
<b>Window</b>	Laminated safety glass. Option with polycarbonate
<b>Pressure element</b>	Stainless steel 316L
<b>Movement</b>	Stainless steel
<b>Dial</b>	Aluminium, white with black lettering
<b>Pressure unit</b>	Bar. Option with unit bar/Pa, bar/psi, kPa, MPa, psi
<b>Pressure connection</b>	G3/8", G1/2" or 1/2"NPT male. Option G1/4" or 1/4"NPT Option with mounted restrictor
<b>Mounting</b>	Lower or back mount, also with back flange, front flange or triangular bezel with clamp
<b>Ingress protection</b>	IP 65 acc.to EN 60529/IEC 529
<b>Pressure limitation</b>	Full scale value by steady pressure 90% of full scale value by fluctuating pressure By short time pressure 1,3 x of full scale value Option with overpressure safe 2 x full scale value
<b>Permissible temperature</b>	Medium temperature max -40 till +200°C Ambient temperature max -40 till +60° C
<b>Certificates</b>	Certificate EN 10204 can be delivered as options Test report wetted parts EN 10204-2.2 Inspection certificate wetted parts EN 10204-3.1
<b>Calibration</b>	Option with accredited calibration with calibration certificate according to ISO/IEC 17025:2018 (SWEDAC)
<b>Production options</b>	Explosion protection ATEX Ex h Design acc.to NACE Sour Gas Service Design Degreased for oxygen services Silicone free design Pressure element in monel (type 262.50) Dial with colored sectors or with customer logo



**2840**  
Lower mount



**2841**  
Back mount



**2845**  
Lower mount  
back flange



**2847**  
Back mount  
front flange



**2848**  
Back mount  
bezel and clamp



**2849**  
Lower mount  
front flange

# Pressure gauge

stainless steel series 2840  
case dim 100 mm

E 02.08.02



Pressure range	Interval	Divisions
0-0,6 bar	0,01	60
0-1 bar	0,02	50
0-1,6 bar	0,05	32
0-2,5 bar	0,05	50
0-4 bar	0,1	40
0-6 bar	0,1	60
0-10 bar	0,2	50
0-16 bar	0,5	32
0-25 bar	0,5	50
0-40 bar	1,0	40
0-60 bar	1,0	60
0-100 bar	2,0	50
0-160 bar	5,0	32
0-250 bar	5,0	50
0-400 bar	10,0	40
0-600 bar	10,0	60
0-1000 bar	20,0	50
-1/0 bar	0,02	50
-1/+1,5 bar	0,05	50
-1/+3 bar	0,1	40
-1/+5 bar	0,1	60
-1/+9 bar	0,2	50
-1/+15 bar	0,5	50
-1/+24 bar	0,5	50

## Accuracy

### Max permissible error 1,0%

The accuracy is expressed as a percentage of full scale range. Permissible error 1,0% will cover 0% till 100% of scale range with a reference temperature of +20°C.

Ex. Pressure range 0-10 bar has an error of  $\pm 0,1$  bar

### Temperature effect

Temperature of the measuring system over or under the reference temperature +20°C will effect the accuracy with 0,4 percentage per +10°C. With a medium temperature of +40°C the accuracy will be  $\pm 1,8\%$ .

## Alternative design

### Liquid filling

Case with liquid filling

Type 2940 datasheet E02.09.02

### Low pressure

Pressure range < 0-0,6 bar

Pressure range from 2,5 mbar to 400 mbar

Type 2860 datasheet E02.17.01

### High pressure

Pressure range > 0-1000 bar

Pressure range 0-1600 bar or 0-2500 bar

Type 2950 HP1 datasheet E02.11.01

### Test gauge

Pressure gauge for testing and calibration 0,6%

Type 332.50 enligt datablad PM 03.06

### Safety version

Safety version EN 837-1 (S3) with

solid baffle wall behind the dial, blow out back

Type 232.30.100 datasheet E02.10.01

### Measurement of oxygen

Degreased for oxygen services

Type 2840 FS datasheet E02.08.05

### With electrical contact

One or two electrical contact mounted in the case

Max- and/or minfunction

Type PGS23.100 datasheet E02.53.01

### With electrical contact device

One or two electrical contact mounted outside the case

Max- and/or minfunction







Datasheet E02.60.01

# Pressure gauge

stainless steel series 2840

case dim 100 mm

E 02.08.02







Code number case 100 mm unit Bar						
	2840	2840	2840	2845	2845	2845
Mounting	Lower	Lower	Lower	Back flange	Back flange	Back flange
Connection	<b>G3/8"</b>	<b>G1/2"</b>	<b>1/2"NPT</b>	<b>G3/8"</b>	<b>G1/2"</b>	<b>1/2"NPT</b>
0-0,6 bar	28404001	28404401	28405001	28454001	28454401	28455001
0-1 bar	28404002	28404402	28405002	28454002	28454402	28455002
0-1,6 bar	28404003	28404403	28405003	28454003	28454403	28455003
0-2,5 bar	28404004	28404404	28405004	28454004	28454404	28455004
0-4 bar	28404006	28404406	28405006	28454006	28454406	28455006
0-6 bar	28404007	28404407	28405007	28454007	28454407	28455507
0-10 bar	28404008	28404408	28405008	28454008	28454408	28455008
0-16 bar	28404011	28404411	28405011	28454011	28454411	28455011
0-25 bar	28404013	28404413	28405013	28454013	28454413	28455013
0-40 bar	28404015	28404415	28405015	28454015	28454415	28455015
0-60 bar	28404017	28404417	28405017	28454017	28454417	28455017
0-100 bar	28404019	28404419	28405019	28454019	28454419	28455019
0-160 bar	28404020	28404420	28405020	28454020	28454420	28455020
0-250 bar	28404022	28404422	28405022	28454022	28454422	28455022
0-400 bar	28404024	28404424	28405024	28454024	28454424	28455024
0-600 bar	28404025	28404425	28405025	28454025	28454425	28455025
0-1000 bar	28404026	28404426	28405026	28454026	28454426	28455026
-1/0 bar	28404040	28404440	28405040	28454040	28454440	28455040
-1/+1,5 bar	28404066	28404466	28405066	28454066	28454466	28455066
-1/+3 bar	28404067	28404467	28405067	28454067	28454467	28455067
-1/+5 bar	28404068	28404468	28405068	28454068	28454468	28455068
-1/+9 bar	28404069	28404469	28405069	28454069	28454469	28455069
-1/+15 bar	28404071	28404471	28405071	28454071	28454471	28455071
-1/+24 bar	28404072	28404472	28405072	28454072	28454472	28455072

# Pressure gauge

stainless steel series 2840

case dim 100 mm

E 02.08.02

Code number case 100 mm unit Bar						
	2841	2847	2848	2849	2849	2849
Mounting	Back	Front flange	Clamp	Front flange	Front flange	Front flange
Connection	G1/2"	G1/2"	G1/2"	G3/8"	G1/2"	1/2"NPT
0-0,6 bar	28414401	28474401	28484401	28494001	28494401	28495001
0-1 bar	28414402	28474402	28484402	28494002	28494402	28495002
0-1,6 bar	28414403	28474403	28484403	28494003	28494403	28495003
0-2,5 bar	28414404	28474404	28484404	28494004	28494404	28495004
0-4 bar	28414406	28474406	28484406	28494006	28494406	28495006
0-6 bar	28414407	28474407	28484407	28494007	28494407	28495007
0-10 bar	28414408	28474408	28484408	28494008	28494408	28495008
0-16 bar	28414411	28474411	28484411	28494011	28494411	28495011
0-25 bar	28414413	28474413	28484413	28494013	28494413	28495013
0-40 bar	28414415	28474415	28484415	28494015	28494415	28495015
0-60 bar	28414417	28474417	28484417	28494017	28494417	28495017
0-100 bar	28414419	28474419	28484419	28494019	28494419	28495019
0-160 bar	28414420	28474420	28484420	28494020	28494420	28495020
0-250 bar	28414422	28474422	28484422	28494022	28494422	28495022
0-400 bar	28414424	28474424	28484424	28494024	28494424	28495024
0-600 bar	28414425	28474425	28484425	28494025	28494425	28495025
0-1000 bar	28414426	28474426	28484426	28494026	28494426	28495026
-1/0 bar	28414440	28474440	28484440	28494040	28494440	28495040
-1/+1,5 bar	28414466	28474466	28484466	28494066	28494466	28495066
-1/+3 bar	28414467	28474467	28484467	28494067	28494467	28495067
-1/+5 bar	28414468	28474468	28484468	28494068	28494468	28495068
-1/+9 bar	28414469	28474469	28484469	28494069	28494469	28495069
-1/+15 bar	28414471	28474471	28484471	28494071	28494471	28495071
-1/+24 bar	28414472	28474472	28484472	28494072	28494472	28495072

# Pressure gauge

stainless steel series 2840




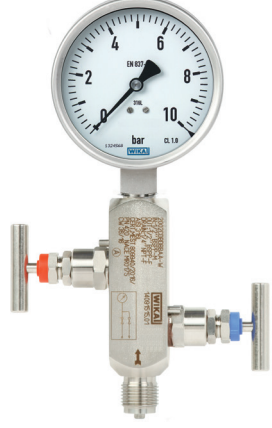
case dim 100 mm

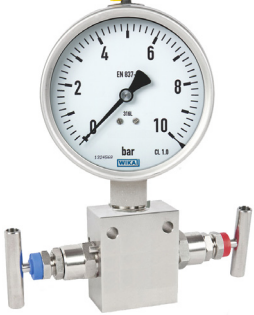



E 02.08.02

## Pressure gauge with Instrument Needle valve and Block-and-bleed valve

Material body stainless steel 316L  
With or without mounting bracket hole  
Material packing PTFE or Graphite  
Nominal pressure 6000 psi / 420 bar

With or without vent connection  
NACE Sour Gas Service  
Inspection certificate 3.1 EN 10204  
all wetted parts material

IV10	IV11	IV201	IV202
Needle valve	Needle valve	Block-and-bleed valve	Block-and-bleed valve
Standard	Multiport	Square form angled	Square form in-line
Female x female/male	Female x female/male	Female x female/male	Female x female/male
			

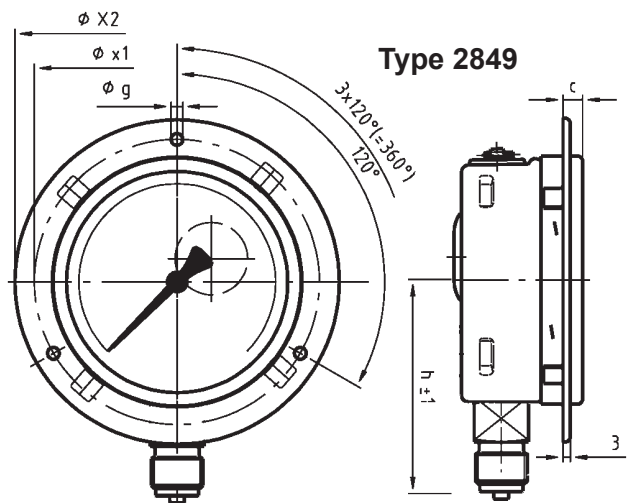
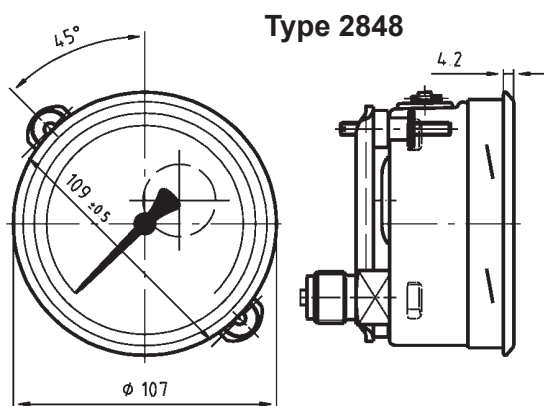
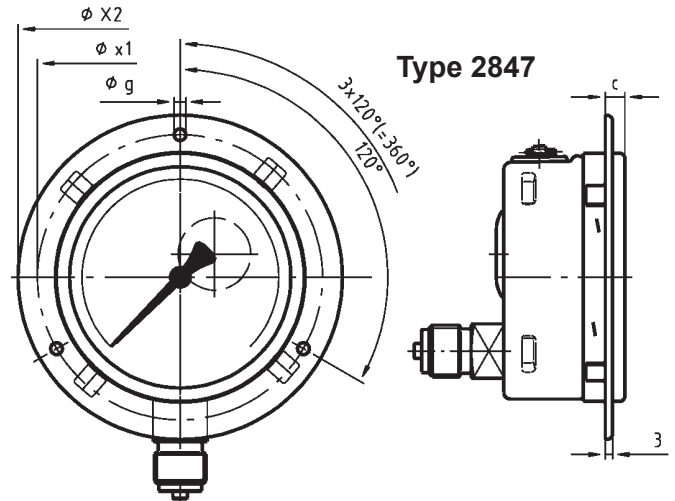
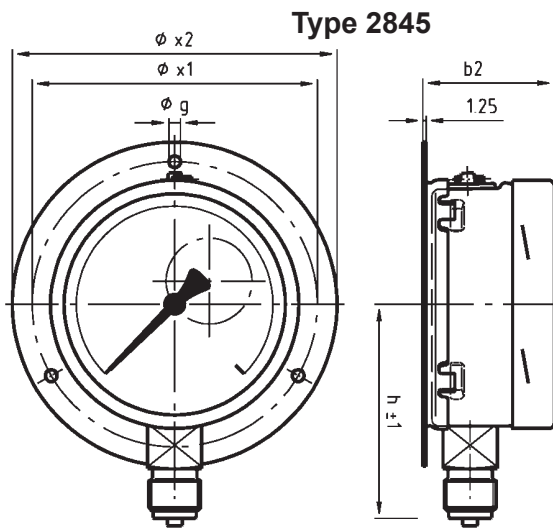
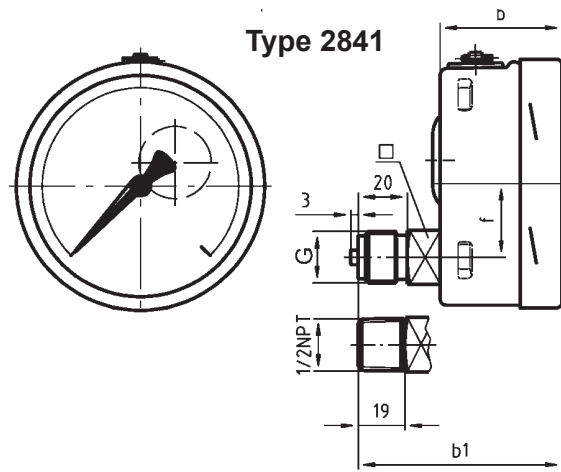
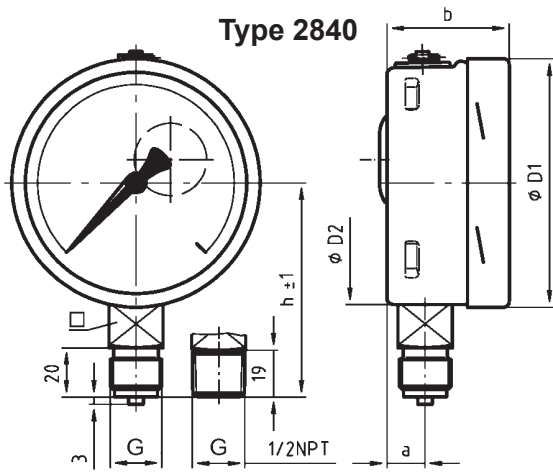
IV212	IV211	IVM2	IBF1
Block-and-bleed valve	Block-and-bleed valve	Monoflange	Monoblock
Flat form in-line	Flat form angled	Flange connection	Flange connection
Female x female	Female x female	Different versions	Different versions
			

# Pressure gauge

stainless steel series 2840

case dim 100 mm

E 02.08.02



Dim Ø	a	b	b <sub>1</sub>	b <sub>2</sub>	D <sub>1</sub>	D <sub>2</sub>	x1	x2	g	h±1	f	c	kg	G
100	15,5	49,5	83	53,5	101	99	116	132	4,8	87	30	8	0,6	G3/8-G1/2-1/2NPT